

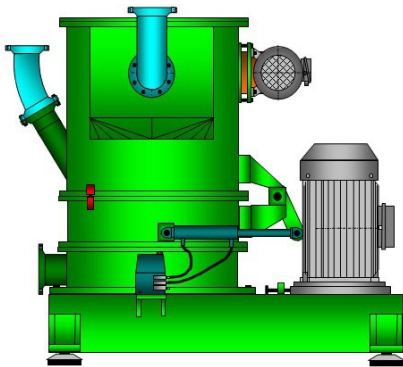


MHG Maschinenfabrik Hombak GmbH

Wolfstochstraße 51 / D-66482 Zweibrücken

Tel: +496332 913850 / Fax: +496332 913870

## Impact classifier mill



### Applications

- Brittle to viscous-elastic materials
- Chemicals
- Minerals
- Wood and chips
- Feed

### Features

- Shredding and sifting in one machine
- Material-friendly shredding
- Steep grain size distributions can be produced
- Separation limit adjustable via speed of the classifier wheel
- Split machine housing allows for easy cleaning and maintenance

### Performance

- Throughput 150 kg/h to 8500 kg/h
- Drive power rotor 45 kW to 110 kW
- Drive power for classifier rotor 7,5 kW up to 18,5 kW