

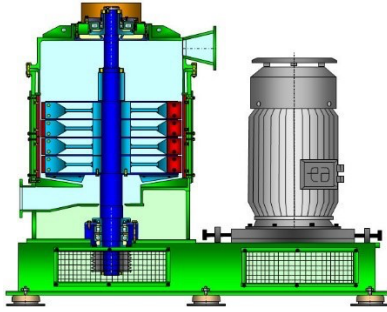


MHG Maschinenfabrik Hombak GmbH

Wolfstochstraße 51 / D-66482 Zweibrücken

Tel: +496332 913850 / Fax: +496332 913870

## Whirl mill



## Applications

- Grinding
- Pulverizing
- Selective shredding
- Coating
- Suspension Drying
- Desagglomeration

## Features

- Vertical rotor with several levels
- High efficiency by generation of micro whirls
- Wear resistant inner lining
- Operation with hot air up to 150°C
- Rugged and reliable, space saving design
- Internal air classifier available

## Performance

- Capacity 750 kg/h to 5 t/h
- Drive power 55 KW up to 500 KW